



**STARION**  
50years of  
Technology skill

# STARION

Starion's spokesmodel (Korean Actor)  
**KIM HO JIN**



# STARION

# We promise with customers! To keep ingredients fresher.

Excellent refrigeration ability, easy to clean, maintenance, maximized and convenient storage space.

Starion's 50years of Technology skill!



## Quick freeze in refrigerator

Automatically will be shut off in 2hours of operation when you press the button. You can store ingredients fast and easy with only press button one time.



## Adjustable the height of a rack

It is possible to make use of the space rationally depends on the quantity of food stored by applying a rack with adjustable height.



## Designed by Internal Stainless

Designed by premium stainless, easy to cleaning and maintenance.



## No Silicon, No Mold !

No need to worry about the mold from refrigerator, there is no silicon in between the gaps present in the refrigerator.



## Defrost the Freezer

Functionally defrost the freezer, frost by outside-air when you open the fridge hence possible to store the ingredients efficiently.



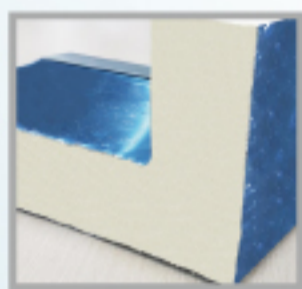
## To removing a bottle rack for larger storage space

Starion refrigerator is designed as removing the bottle rack so more ingredients able to store.

# We promise with customers! To manufacture the best product

Possible to install in a small spaces, easy to shifting, perfect heat insulated structure and best supporting services.

**Starion's 50years of Technology skill!**



### High density polyurethane Foaming

We differentiated the Thickness of foaming for each part by minimizing the waste of heat in the interior & exterior and researching on the optimal thickness.



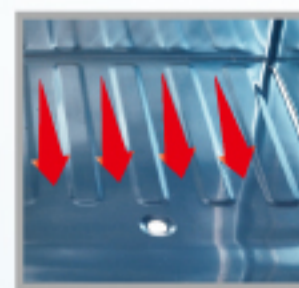
### Automatically closing of the door in 45 degree angle

Automatically door closing function is automatically closing the door during the state of DOOR OPENED within 45degree angle, and is needed for kitchens in business who often have to open and close the refrigerating door.



### Easy to handle attemperation device

Temperature control is freely done by the application of sensor, and external identification is made simple. And we maintain freshness of food for long time with its best condition.



### A Drain structure that considers its users

We designed the back of the refrigerator 1 degree higher than the front part of it, and additionally made waterway so that water will naturally gather in the front part. The drainage and cleaning can be easily done through the drainage hole located in-front, without having to remove the foods that were inside the refrigerator.



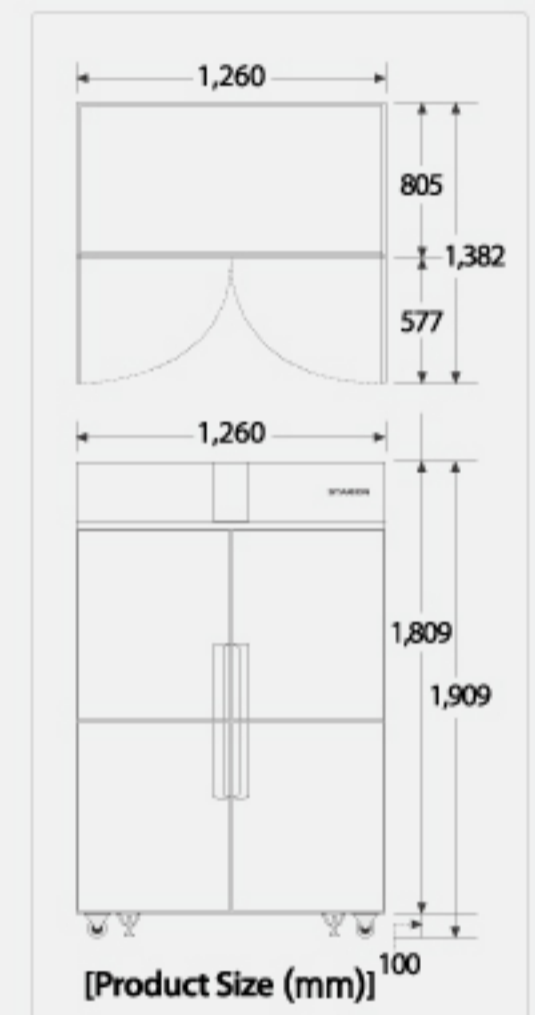
### Adoption of the strong refrigerating capacity LG COMPRESSOR

We provide a strong refrigerating with the LG compressor, which is the byword for compressor.

# STARION | Refrigerator

STARION 1100ℓ 45Box - Metal

STARION 1100ℓ 45Box - Stainless



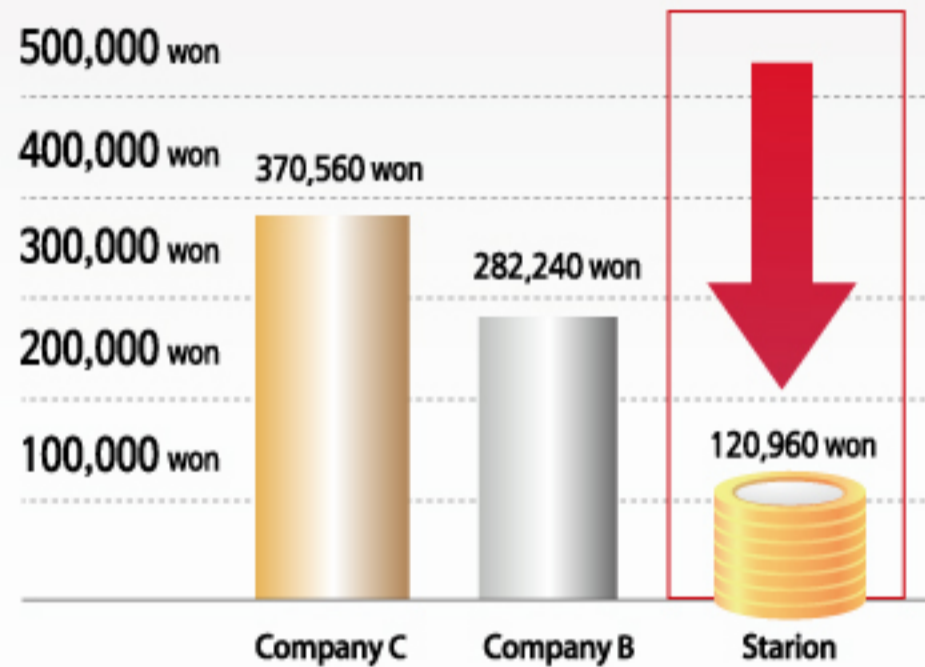
Type	Model No.	Material		SIZE (WxDxH)mm	Weight (kg)	Voulme(ℓ)			Temperature Range		Power Consumption (kWh/M)
		External	Internal			Freezer	Fridge	Total	Freezer	Fridge	
 1100ℓ 1/4 freezer	SR-S45AI	Metal	STS	1,260x805x1,909	157	240	830	1,070	-24℃~-5℃ (-5,-16,-18,-20,-22,-24) Rapidly: 32℃▶-5℃: 58mins	-5℃~7℃ (-5,-1,1,3,5,7)	63.0 2 grade of Energy efficiency
	SR-S45AS	STS			153						
 1100ℓ 1/2 freezer (Verticality)	SR-S45BI	Metal	STS	1,260x805x1,909	147	530	530	1,060	-24℃~-5℃ (-5,-16,-18,-20,-22,-24) Rapidly: 32℃▶-5℃: 79mins	-5℃~7℃ (-5,-1,1,3,5,7)	80.0 2 grade of Energy efficiency
	SR-S45BS	STS			145						
 1100ℓ 1/2 freezer (Horizontalilty)	SR-S45CI	Metal	STS	1,260x805x1,909	145	532	541	1,073	-24℃~-5℃ (-5,-16,-18,-20,-22,-24) Rapidly: 32℃▶-5℃: 79mins	-5℃~7℃ (-5,-1,1,3,5,7)	86.0 3 grade of Energy efficiency
	SR-S45CS	STS			141						
 1100ℓ All freezer	SR-S45DI	Metal	STS	1,260x805x1,909	140	1,110	—	1,110	-24℃~-5℃ (-5,-16,-18,-20,-22,-24) Rapidly: 32℃▶-5℃: 82mins	—	N/A
	SR-S45DS	STS			138						
 1100ℓ All Fridge	SR-S45EI	Metal	STS	1,260x805x1,909	124	—	1,110	1,110	—	-5℃~7℃ (-5,-1,1,3,5,7)	 35.0 2 grade of Energy efficiency
	SR-S45ES	STS			120						

\* STS = Stainless

Everyday refrigerator is woking and worry about electric fee  
**Starion commercial refrigerators is out of electric fee!**

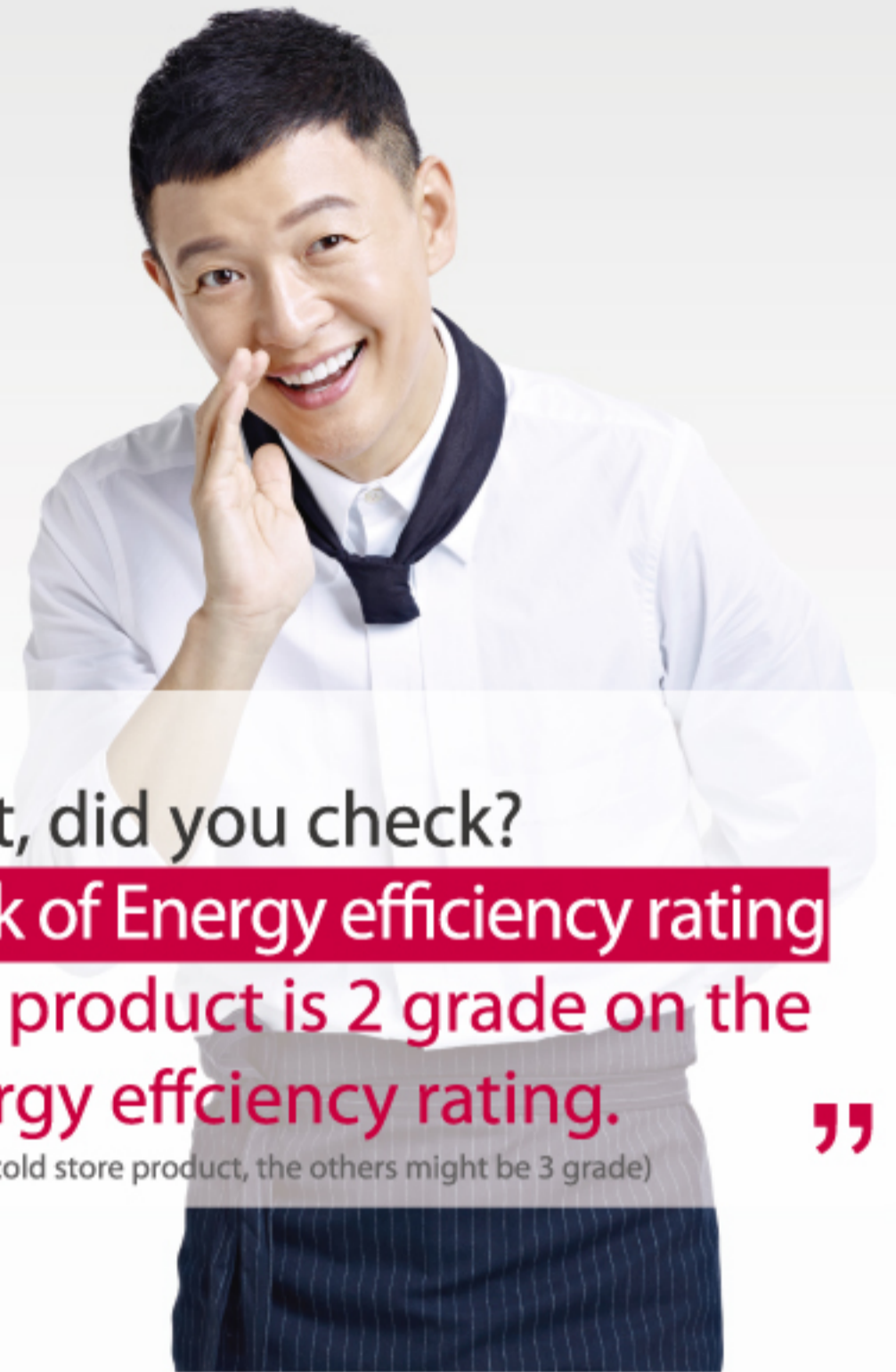


**67% Economical**



\* Above data met the standard requirement the ISO15502.  
 \* SR-S45A\* model assessment criteria  
 [An aunnal price of electric fee rate]

“ Wait, did you check?  
**Mark of Energy efficiency rating**  
 Our product is 2 grade on the  
**energy efficiency rating.** ”  
 (only for cold store product, the others might be 3 grade)



**Seem like not working? It is definitely working!**

**43dB** Designed as low noise

\* SR-S25D\* only this model



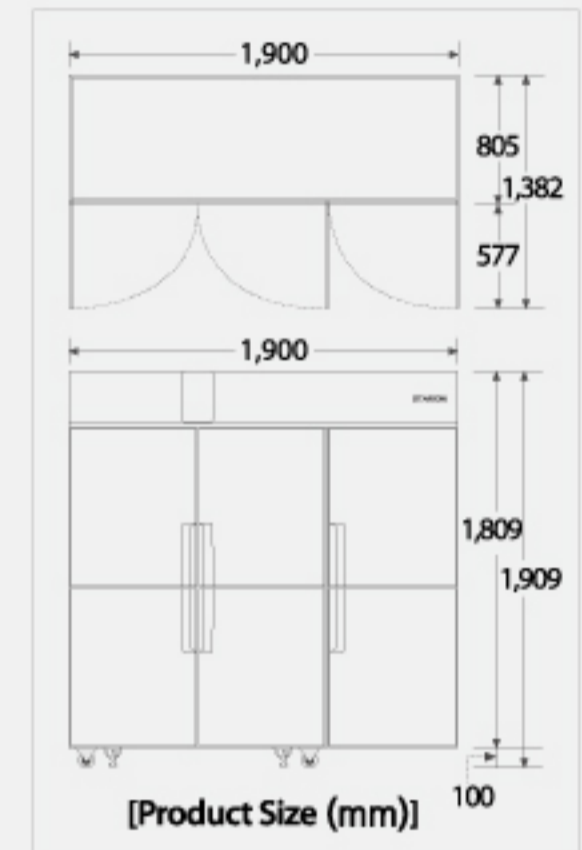
[ Noise test for each product ]

- 500L ALL freezer (SR-25D\* Model) 43dB
- 500L ALL fridge (SR-25E\* Model) 50dB
- 1100L 1/4 freezer (SR-S45A\* Model) 44dB
- 1100L 1/2 freezer (SR-S45B\* Model) 45dB
- 1100L ALL freezer (SR-S45D\* Model) 48dB
- 1100L ALL fridge (SR-S45E\* Model) 45dB
- 1700L 1/3 freezer (SR-S65B\* Model) 45dB
- 1700L ALL freezer (SR-S65D\* Model) 45dB

# STARION | Refrigerator

## STARION 1700ℓ 65Box

“ Easily and simply built-up type refrigerator  
2 regular size of commercial refrigerators can be  
changed into one supersize commercial refrigerator! ”



Type	Model No.	Material		SIZE (WxDxH)mm	Weight (kg)	Voulme(ℓ)			Temperature range		Power Consumption (kWh/M)
		External	Internal			Freezer	Fridge	Total	Freezer	Fridge	
 1700ℓ 1/3 freezer	SR-S65BI	Metal	STS	1,900x805x1,909	212	500	1,110	1,610	-24℃ ~ -5℃ (-5,-16,-18,-20,-22,-24) Rapidly: 32℃ ▶ -5℃: 58mins	-5℃ ~ 7℃ (-5,-1,1,3,5,7)	98.0 2 grade of Energy efficiency
	SR-S65BS	STS	204								
 1700ℓ All freezer	SR-S65DI	Metal	STS	1,900x805x1,909	228	1,610	—	1,610	-24℃ ~ -5℃ (-5,-16,-18,-20,-22,-24) Rapidly: 32℃ ▶ -5℃: 79mins	—	N/A
	SR-S65DS	STS	222								
 1700ℓ All Fridge	SR-S65EI	Metal	STS	1,900x805x1,909	210	—	1,610	1,610	—	-5℃ ~ 7℃ (-5,-1,1,3,5,7)	49.0 3 grade of Energy efficiency
	SR-S65ES	STS	204								

\* STS = Stainless

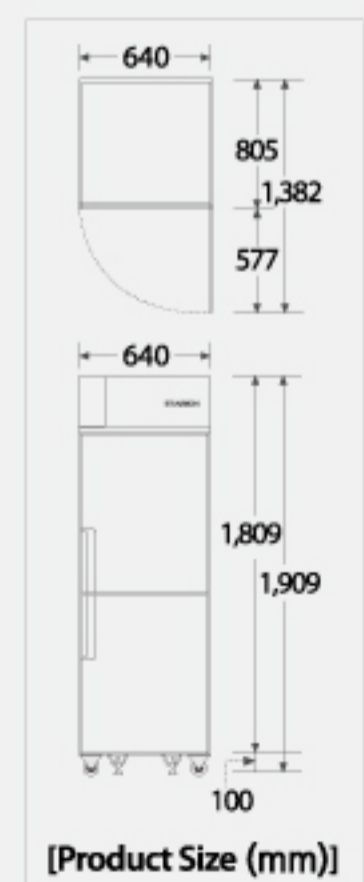
## STARION 500ℓ 25Box



Type	Model No.	Material		SIZE (WxDxH)mm	Weight (kg)	Voulme(ℓ)		
		External	Internal			Freezer	Fridge	Total
 500ℓ 1/2 freezer	SR-S25AI	Metal	STS	640x805x1,909	85	244	240	484
	SR-S25AS	STS	83					
 500ℓ All freezer	SR-S25DI	Metal	STS	640x805x1,909	83	500	—	500
	SR-S25DS	STS	79					
 500ℓ All Fridge	SR-S25EI	Metal	STS	640x805x1,909	81	—	500	500
	SR-S25ES	STS	79					

\* STS = Stainless

※ SR-S25A\* / SR-S25E\* 2 grade of energy efficiency

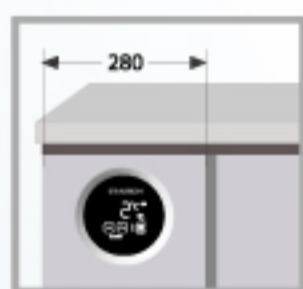


# Easiness of control

## Best design, wide space to storage

Minimize of machine room, wide space to storage, best compressor skill unnecessary shifting a machine room

Side-dishes / table refrigerator



### Innovation of mechine room (280mm)

We provide a larger storage space by innovatively reducing the machine area with the best compressor load.



### No silicon, no mold !

No need to worry about the mold from refrigerator, and there is no silicon in between the gaps present in the refrigerator.



### Easy to use temperature control

The temperature of the refrigerator can be checked at a glance and its temperature can be controlled in a very convenient way.



### Installed powerful refrigeration-ability of LG compressor

As we selected LG compressor, provide refrigeration ability and unnecessary to shift machine room due to surrounding environment.



### Defrost the Freezer

Possible to give it a hose through the drain once frosts are removed!  
Cleanness maintained for 365days!  
Possible of clean storage!



### Delicate temperature control of 1 degree celsius unit)

With digital touch screen, it is possible to control the temperature by 1 degree celsius unit.

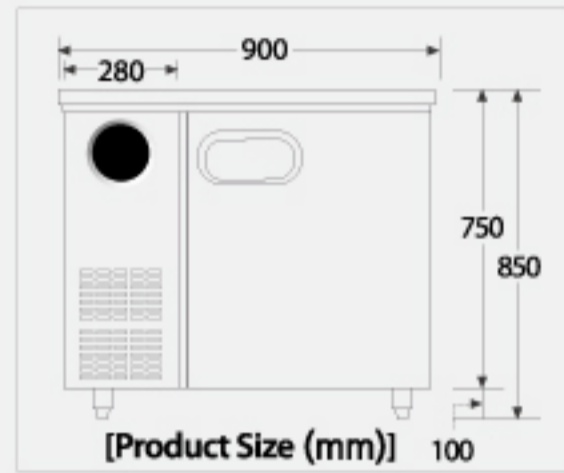


### Adjustable the height of a rack

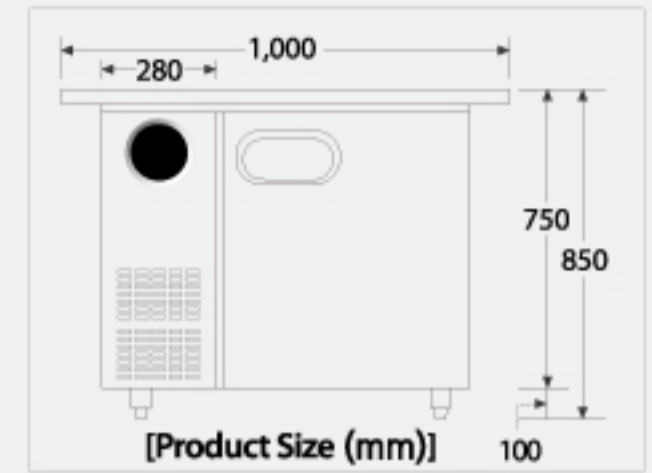
It is possible to make use of the space rationally depending on the quantity of food stored by applying a rack with adjustable height.

# STARION | Refrigerator

## STARION W900 Side-Dish Refrigerator

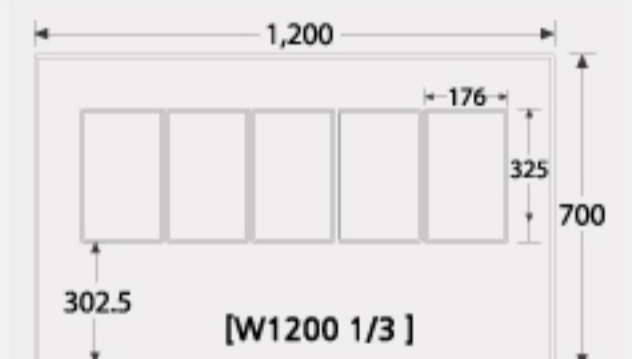
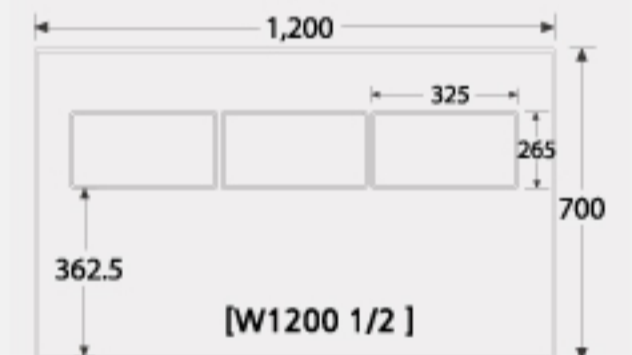
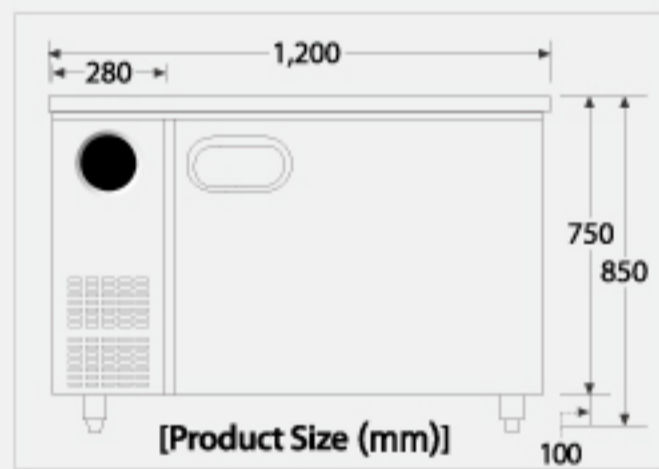


## STARION W1000 Side-Dish Refrigerator



Type	Model No.	Material		SIZE (WxDxH)mm	Weight (kg)	Volume(ℓ)			Temperature range Fridge	Remark
		External	Internal			upper storage	Inside storage	Total		
 W900	SR-V09EIE	Metal	STS	900X700X850	54	62	131	193	-5℃ ~ 10℃ (Adjustable by 1℃ unit)	Left Handle
	SR-V09EIF									Right Handle
	SR-V09ESE	Left Handle								
	SR-V09ESF	Right Handle								
 W1000 (Customer built)	SR-V10EIE	Metal	STS	900X700X850	56	62	131	193	-5℃ ~ 10℃ (Adjustable by 1℃ unit)	Left Handle
	SR-V10EIF									Right Handle
	SR-V10ESE	Left Handle								
	SR-V10ESF	Right Handle								

## STARION W1200 Side-Dish Refrigerator



Type	Model No.	Material		SIZE (WxDxH)mm	Weight (kg)	Volume(ℓ)			Temperature range Fridge	Remark
		External	Internal			upper storage	Inside storage	Total		
 W1200	SR-V12EIE	Metal	STS	1,200X700X850	65	86	209	295	-5℃ ~ 10℃ (Adjustable by 1℃ unit)	Left Handle
	SR-V12EIF									Right Handle
	SR-V12ESE	Left Handle								
	SR-V12ESF	Right Handle								
 W1200 1/2	SR-V12EIEVB	Metal	STS	67	67	55	209	264	-5℃ ~ 10℃ (Adjustable by 1℃ unit)	Left Handle
	SR-V12ESEVB	STS	Left Handle							
 W1200 1/3	SR-V12EIEVA	Metal	STS	67	67	55	209	264	-5℃ ~ 10℃ (Adjustable by 1℃ unit)	Left Handle
	SR-V12EIFVA									Right Handle
	SR-V12ESEVA	Left Handle								
	SR-V12ESFVA	STS	Right Handle	64						Right Handle

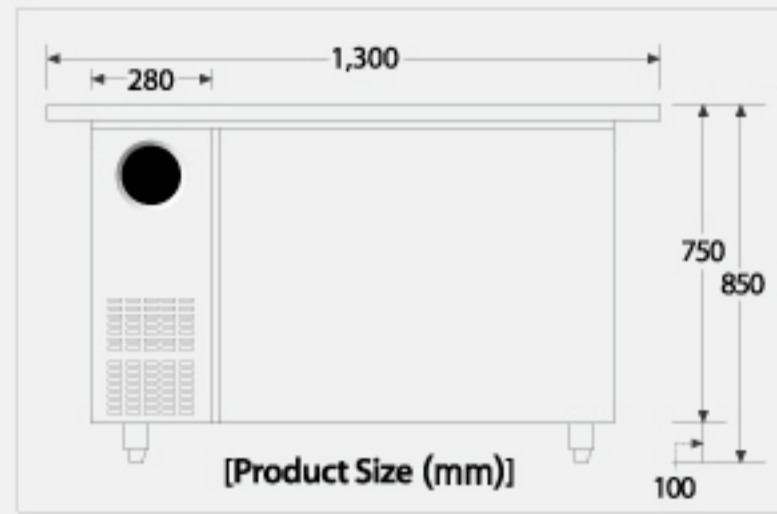
\* STS = Stainless



## STARION W1300 Side-Dish Refrigerator



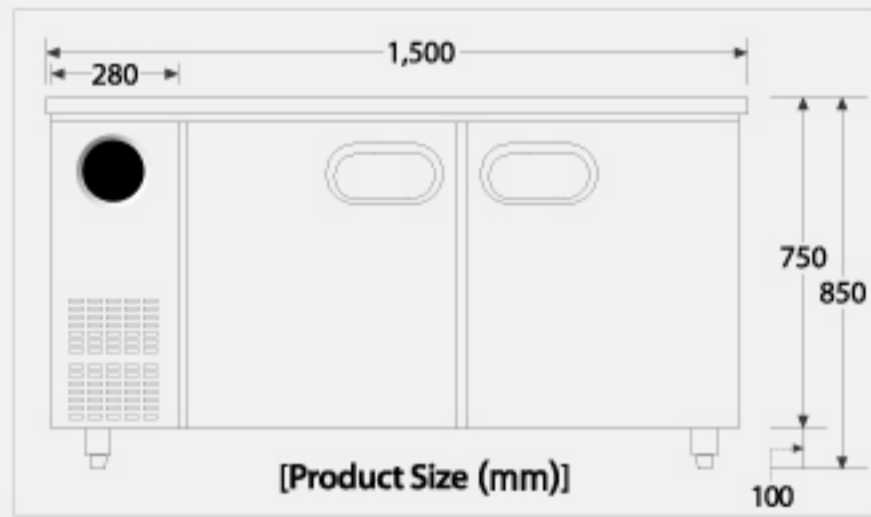
W900 받드



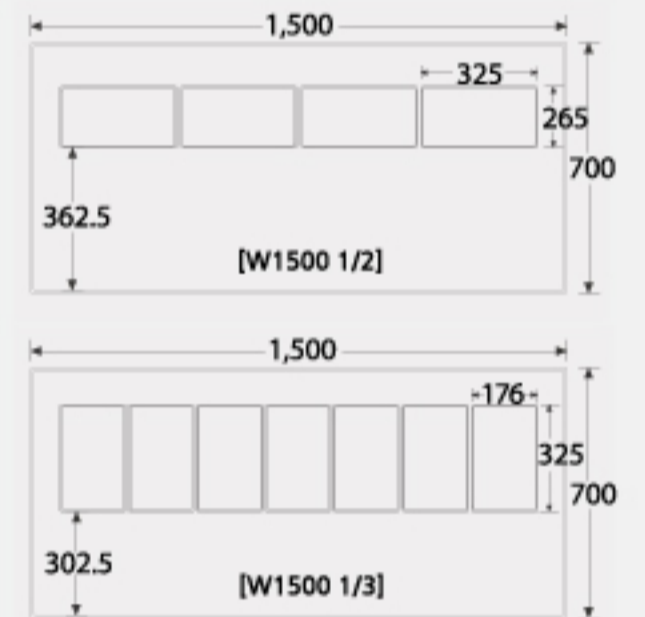
[Product Size (mm)]

Type	Model No.	Material		SIZE (WxDxH)mm	Weight (kg)	Volume(ℓ)			Temperature range	Remark
		External	Internal			upper storage	Inside storage	Total	Fridge	
 W1300 (Customer-bulit)	SR-V13EIE	Metal	STS	1,300X700X850	67	86	209	295	-5℃ ~ 10℃ (Adjustable by 1℃ unit)	Left Handle
	SR-V13EIF									Right Handle
	SR-V13ESE	STS	Left Handle							
	SR-V13ESF		Right Handle							

## STARION W1500 Side-Dish Refrigerator

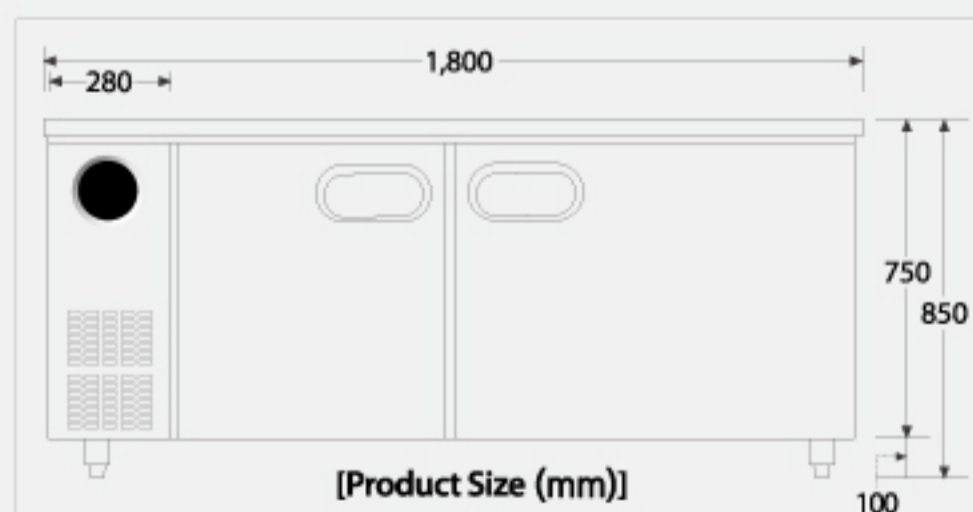


[Product Size (mm)]



Type	Model No.	Material		SIZE (WxDxH)mm	Weight (kg)	Volume(ℓ)			Temperature range	Remark
		External	Internal			upper storage	Inside storage	Total	Fridge	
W1500	SR-V15EIE	Metal		1,500X700X850	74	109	287	396	-5℃ ~ 10℃ (Adjustable by 1℃ unit)	Able to open Two-door
	SR-V15ESE	STS			71					
W1500 1/2	SR-V15EIEVB	Metal		1,500X700X850	76	71	287	358		
	SR-V15ESEVB	STS			73					
W1500 1/3	SR-V15EIEVA	Metal		1,500X700X850	76	71	287	358		
	SR-V15ESEVA	STS			73					

## STARION W1800 Side-Dish Refrigerator



[Product Size (mm)]

Type	Model No.	Material		SIZE (WxDxH)mm	Weight (kg)	Volume(ℓ)			Temperature range	Remark
		External	Internal			upper storage	Inside storage	Total	Fridge	
 W1800	SR-V18EIE	Metal		1,800X700X850	89	132	365	497	-5℃ ~ 10℃ (Adjustable by 1℃ unit)	Able to open Two-door
	SR-V18ESE	STS			86					

\* STS = Stainless



# STARION | Refrigerator

## STARION W900 Table Refrigerator




## STARION W1000 Table Refrigerator



Type	Model No.	Material		SIZE (WxDxH)mm	Weight (kg)	Volume(ℓ)			Temperature range Fridge	Remark
		External	Internal			Freezer	Fridge	Total		
 W900 Table	SR-T09EIE	Metal	STS	900X700X850	54	-	167	167	-5℃ ~ 10℃ (Adjustable by 1℃ unit)	Left Handle
	SR-T09EIF									Right Handle
	SR-T09ESE	STS	Left Handle							
	SR-T09ESF		Right Handle							
 W1000 Table (Custom-built)	SR-T10EIE	Metal	STS	1,000X700X850	56	-	167	167	-5℃ ~ 10℃ (Adjustable by 1℃ unit)	Left Handle
	SR-T10EIF									Right Handle
	SR-T10ESE	STS	Left Handle							
	SR-T10ESF		Right Handle							

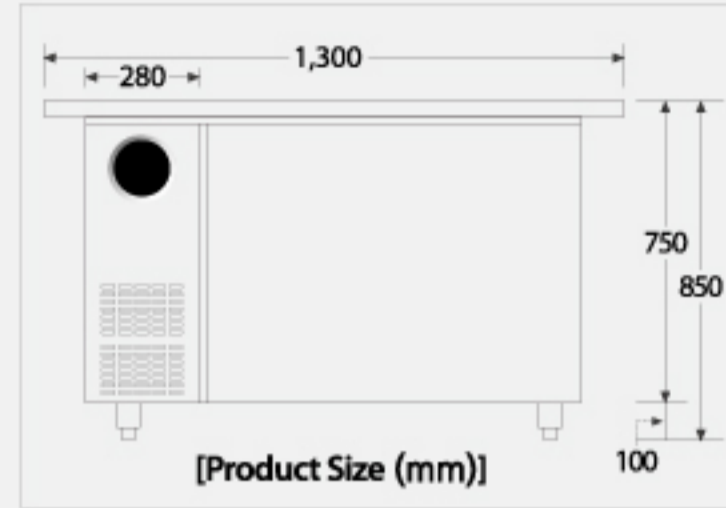
## STARION W1200 Table Refrigerator



Type	Model No.	Material		SIZE (WxDxH)mm	Weight (kg)	Volume(ℓ)			Temperature range Fridge	Remark
		External	Internal			Freezer	Fridge	Total		
 W1200 Table	SR-T12EIE	Metal	STS	1,200X700X850	65	-	266	266	-5℃ ~ 10℃ (Adjustable by 1℃ unit)	Left Handle
	SR-T12EIF									Right Handle
	SR-T12ESE	STS	Left Handle							
	SR-T12ESF		Right Handle							

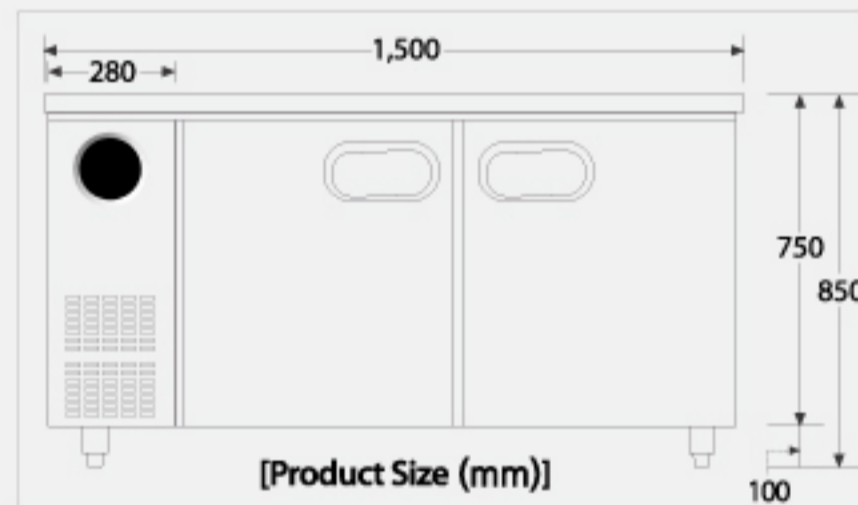
\* STS = Stainless

## STARION W1300 Table Refrigerator



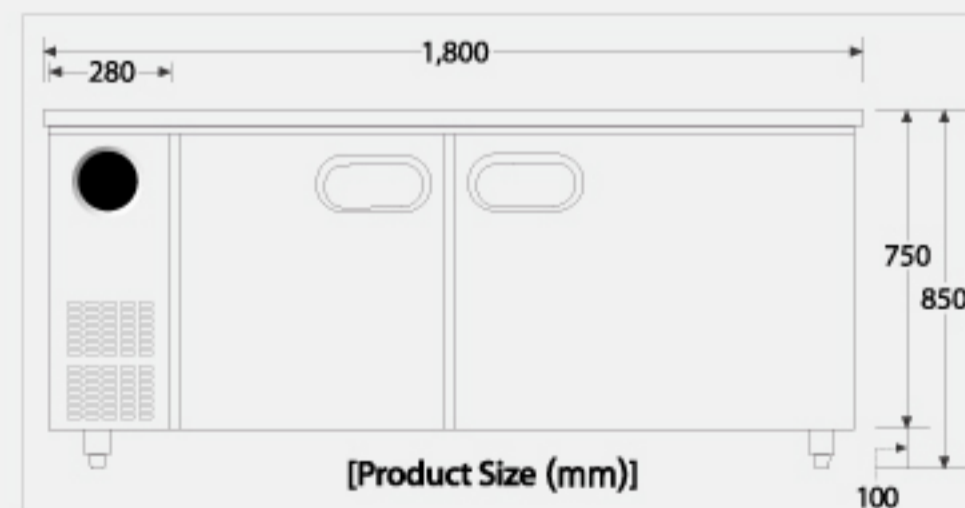
Type	Model No.	Material		SIZE (WxDxH)mm	Weight (kg)	Volume(ℓ)			Temperature range		Remark
		External	Internal			Freezer	Fridge	Total	Freezer	Fridge	
 W1300 Table (Custom-built)	SR-T13EIE	Metal	STS	1,300X700X850	67	—	266	266	-5℃ ~ 10℃ (Adjustable by 1℃ unit)		Left Handle
	SR-T13EIF				Right Handle						
	SR-T13ESE	STS	64		Left Handle						
	SR-T13ESF		Right Handle								

## STARION W1500 Table Refrigerator



Type	Model No.	Material		SIZE (WxDxH)mm	Weight (kg)	Volume(ℓ)			Temperature range		Remark				
		External	Internal			Freezer	Fridge	Total	Freezer	Fridge					
 W1500 Table	SR-T15EIE	Metal	STS	1,500X700X850	74	—	366	366	—	-5℃ ~ 10℃ (Adjustable by 1℃ unit)	Able to open Two-door				
	SR-T15ESE				71						Able to open Two-door				
 W1500 Table (Freezer/Fridge)	SR-T15AIE	Metal	STS		Undefined						171.5	171.5	343	-25℃ ~ -15℃ (Adjustable by 1℃ unit)	Able to open Two-door
	SR-T15ASE				Undefined										

## STARION W1800 Table Refrigerator, Freezer/Fridge



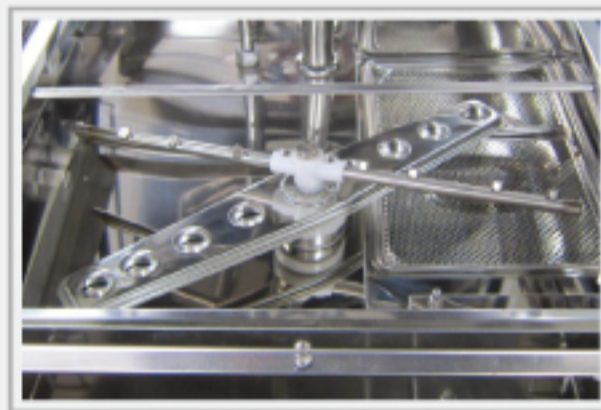
Type	Model No.	Material		SIZE (WxDxH)mm	Weight (kg)	Volume(ℓ)			Temperature range		Remark				
		External	Internal			Freezer	Fridge	Total	Freezer	Fridge					
 W1800 Table	SR-T18EIE	Metal	STS	1,800X700X850	89	—	465	465	—	-5℃ ~ 10℃ (Adjustable by 1℃ unit)	Able to open Two-door				
	SR-T18ESE				86						Able to open Two-door				
 W1800 Table (Freezer/Fridge)	SR-T18AIE	Metal	STS		Undefined						171.5	271.5	443	-25℃ ~ -15℃ (Adjustable by 1℃ unit)	Able to open Two-door
	SR-T18ASE				Undefined										

\* STS = Stainless



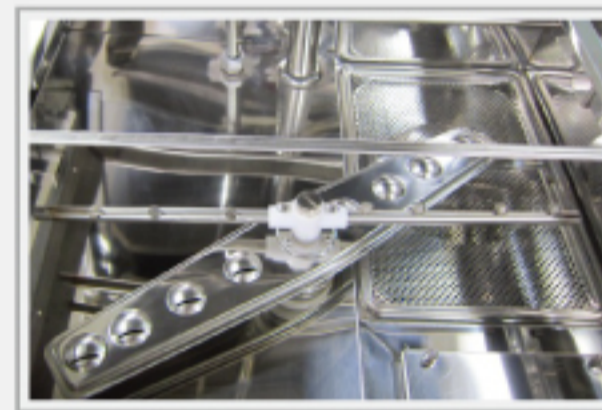
### Simple display and convenient instructions

Aimed convenience of the users by minimizing the control buttons and expressing all of the washer on the display screen.



### Strong cleaning power of the water jet injection

Through Starion's exclusive cleaning nozzle, where the strong wash water pump is at its optimum round Bowls, cups, and bottle can be cleaned thoroughly without leaving any stain.



### A water tank that does not rust do not have any leaks

Due to the same quality of material (stainless), there is no leakage.



### Duration of cleaning

Average time: 70 sec (Washing :55sec, stopping: 3sec, rinsing: 12sec) Cleaning and rinsing time can be controlled according to the tendency of customers.



### Pausing and self-diagnosing function

By applying the thermal fuse and overweight prevent devices if a problem occurs, the error sign and application of pausing function will stop the washer action and let it relax to aim for safety.



### Possible to control the cleanliness Standard acquisition on the surrounding environment

We optimized the requirements of washer by regulation not only cleansing, washing time, but also detergent and rinse.



### Accredited of Safety certification

products that are accepted for their quality and safety by undergoing safety certified products.



### Applying detergent rinse, and feeder for slump

Instead of roll pumps, it can be used conveniently with no minor breakdowns, by applying the slump that has strong detergent reaction, and using the right amount of detergent

Type	Model No.	Weight	Size (WxDxH)mm	Voltage	Maximum Electric Power	Washing-Rinse				Cleaning Power(Per hour)					
						Mode	Tank Capacity	Washing · Rinse Time	Pump Capacity	Hot Water	Maximum Temperature	Small/Mdium size of plate types	Rice bowl types	Noddle bowl types	Glass types
Dishwasher	SW-D500C	80 Kg	Door-closed 650x650x1,350	220V~, 60Hz Single -phase current	3.8 kW	spary Up and down / rotary mode	Washing : 42 Li Rinsing : 28 Li	Washing : 35 ~ 95sec (Adjustable by 5sec) Rinsing : 5 ~ 30sec (Adjustable by 1sec)	Washing : 1.1 kW Rinsing : 0.1 kW	X	Washing 85°C ± 10%	1,500 ~ 1,800개	1,500개	360 ~ 480개	2,000개
	SW-D500H	85 Kg	Door-open 650x650x1,850									O	Washing · Rinse 85°C ± 10%		

Dishwasher customer service **1588-2463** Starion provides own direct supporting service for your convenience and better services (only Dish-Washer)

# STARION

## A technology that make happiness - STARION

With 50 years of technical skills, Starion makes more economical domestic science. Starion's technology not only considers cooking but also its user's time and convenience, and also energy and environment.

### Electric Ranges



### Airo-cook



Happiness in life and Change  
your dreaming life with Starion

**STARION**

### Electric Fan & standing fan



### Rotary Heater & Electric Heater



# STARION

**Service Center** Starion customer service 1588-2203

(51575) 29, Seongsanpaechong-ro, Seongsan-gu, Changwon-si, Gyeongsangnam-do / [www.starion.co.kr](http://www.starion.co.kr)

- The introduction of product in this catalogue is aimed to only help customer enhance their understanding regarding the characteristics of the products. And the contents here may be altered due to market trends and the time when it is released. So, when purchasing the product, please check for accurate information from the Salesperson.
- The color of the product shown in this catalog may be different from their original color due to printing process.
- You will be asked for fine responsibility due to copyright law if you will illegally expropriate .